

## Digital Undercounter ecostore HP Concept Refrigerated Counter - 4 Drawers (R290)

ITEM # \_\_\_\_\_

MODEL # \_\_\_\_\_

NAME # \_\_\_\_\_

SIS # \_\_\_\_\_

AIA # \_\_\_\_\_


**710460 (EK2HBBB)**

 4x1/2-drawer Refrigerated  
 Counter, -2°+10°C, AISI 304  
 (R290)

### Short Form Specification

**Item No.** \_\_\_\_\_

AISI 304 stainless steel panels, AISI 430 bottom panel, galvanized back panel. Worktop thickness 50mm. N. 4X1/2 drawers. Built-in refrigeration unit. Operating temperature: -2°+10° C.

### Main Features

- Adjustable temperature range from -2 °C to +10 °C to suit meat, fish and dairy storage requirements.
- 0mm clearance installation space: tower configuration cooling unit guarantee performance with frontal ventilation only; this unique solution allows installation against the wall or side by side with other appliances, even on the cooling unit side to maximize the use of kitchen space.
- Combination of doors and drawers to suit any configuration needed, with the possibility to change the configuration on site. Right cooling unit available on request.
- Frontal and easy access to all components in the cooling unit.
- Anti-tilt runners accept GN 1/1 containers.
- Self closing stainless steel doors (< 90°).
- Certified safety CE requirements.
- Prearranged to fit RS485 port to facilitate connection to a remote computer and integrated HACCP systems.
- Hot gas automatic evaporation of defrost water.
- Equipped with forced air circulation system for rapid cooling and temperature distribution within the cell.
- Refrigerated compartment designed to accept GN 1/1 containers.
- Combination of doors and drawers to suit varying needs, with the possibility to change the configuration on site.
- Digital control panel.
- Forced air circulation for rapid cooling and an even temperature distribution.
- Digital white-digit display with internal temperature display and setting, manual activation of defrost cycle and turbo frost cycle (to rapidly cool warm loads).
- Easy serviceability thanks to the intuitive control panel with access via app.
- Integrated RS485 port to facilitate connection to a remote computer and integrated HACCP systems.
- Tropicalized unit.

### Construction

- Worktop in AISI 304 Stainless steel with a 50 mm profile.
- If needed, working top can be removed for easier handling during installation (in case of narrow doors).
- Anti-drip profile on stainless steel worktop edge.
- Interior base with rounded corners, pressed from a single sheet.
- Ease of cleaning and high hygiene standards thanks to the rounded internal corners, the easily removable runners, grids and air conveyors.
- Internal structure with 15 charging positions (3 cm pitch) available to host GN 1/1 grids, ensuring higher net capacity and a greater storage space.
- Internal and external doors, front and side panels and removable worktop in AISI 304 Stainless steel.
- Mounted on stainless steel feet to give 150 mm

**APPROVAL:** \_\_\_\_\_

(-5/+50 mm) clearance for ease of cleaning the floor.

- External bottom panel in stainless steel.
- External back panel in galvanized steel.
- Built-in refrigeration unit.
- Developed and produced in ISO 9001 and ISO 14001 certified factory.
- Fault code display.
- Pre-arranged for drain-pipe.
- Excellent space optimisation thanks to the compact dimensions.
- Built-in compressor to suit operating conditions.
- Constructed from AISI 304 Stainless steel throughout to meet the highest hygiene standards.
- Rounded internal corners for ease of cleaning.
- Mounted on Stainless steel adjustable legs to give 150 mm clearance for ease of cleaning.
- Access to all components from the front.
- Extractable cooling unit to facilitate maintenance.
- Internal dimension of the drawers:
  - models with 2 1/2 drawers: 1st drawer (top drawer) 203x302x521 / 2nd drawer 223x302x521 (HxWxD)
  - models with 3 1/3 drawers: 1st drawer (top drawer) 98x302x521 / 2nd and 3rd drawers 118x302x521 (HxWxD)
  - models with 1/3+2/3 drawers: 1st drawer (top drawer) 98x302x521 / 2nd drawer 333x302x521 (HxWxD)

### Sustainability

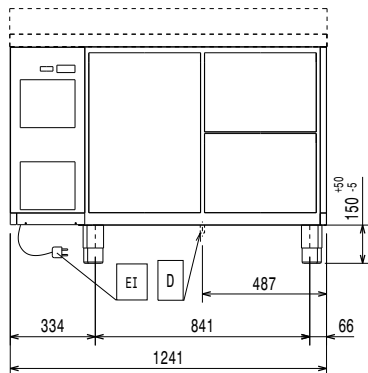


- Fitted with 90 mm thickness of cyclopentane insulation for best insulating performance (thermal conductivity: 0,020 W/m\*K) and lowest environmental impact (GWP=3).
- Removable triple-chamber balloon magnetic gasket to improve insulation and reduce energy consumption and ease of cleaning.

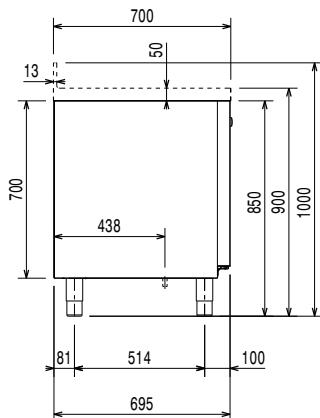
### Optional Accessories

- |  |            |                          |
|--|------------|--------------------------|
| • 2x½ drawer kit for refrigerated counters   | PNC 881058 | <input type="checkbox"/> |
| • 3x1/3 drawer kit for refrigerated counters   | PNC 881059 | <input type="checkbox"/> |
| • 1/3 and 2/3 bottle drawer kit for refrigerated counters  | PNC 881071 | <input type="checkbox"/> |
| • 1/1GN grey rilsan grid for refrigerated counters   | PNC 881107 | <input type="checkbox"/> |
| • 2 side runners for 1/1 GN ecostore refrigerated counters   | PNC 881108 | <input type="checkbox"/> |
| • Kit 1/1 grey rilsan grid and 2 side runners for refrigerated counters  | PNC 881109 | <input type="checkbox"/> |
| • 1/1 GN plastic container, H=65 mm  | PNC 881110 | <input type="checkbox"/> |
| • 1/1 GN plastic container, H=100 mm   | PNC 881111 | <input type="checkbox"/> |
| • 1/1 GN plastic container, H=150 mm   | PNC 881112 | <input type="checkbox"/> |
| • Kit 4 wheels, H=100 mm (2 with brakes) for refrigerated counters   | PNC 881191 | <input type="checkbox"/> |
| • Kit 4 wheels, H=150 mm (2 with brakes) for 2&3 compartment refrigerated counters                               | PNC 881193 | <input type="checkbox"/> |
| • Lock for refrigerator/freezer counters with 2 compartments - h700mm (can be used in kit for Marine conversion) | PNC 881242 | <input type="checkbox"/> |

Front

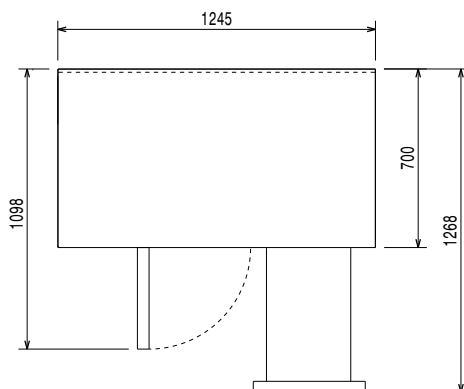


Side



EI = Electrical inlet (power)

Top



## Electric

Supply voltage:	220-240 V/1 ph/50 Hz
Electrical power, max:	0.22 kW
Defrost Power:	0.2 kW
Plug type:	CE-SCHUKO

## Key Information:

Net Volume:	124 lt
Door hinges:	
External dimensions, Width:	1245 mm
External dimensions, Depth:	700 mm
External dimensions, Height:	900 mm
Internal Dimensions, Width:	798 mm
Internal Dimensions, Depth:	560 mm
Internal Dimensions, Height:	550 mm
Net weight:	104 kg
Shipping volume:	1.09 m <sup>3</sup>
Depth with doors open:	1110 mm
Height adjustment:	0/0 mm
Gross capacity:	290 lt

## Refrigeration Data

Control type:	Digital
Refrigeration power at evaporation temperature:	-10 °C
Min/Max internal humidity:	40/85
Operating temperature min.:	-2 °C
Operating temperature max.:	10 °C
Compressor power:	0.25 hp
Operating mode:	Ventilated
Insulation:	90 mm (Cyclopentane)

## ISO Certificates

ISO Standards:	ISO 9001; ISO 14001; ISO 45001; ISO 50001
----------------	---

## Sustainability

Current consumption:	1.6 Amps
Refrigerant type:	R290
GWP Index:	3
Refrigeration power:	358 W
Refrigerant weight:	45 g
Energy Class (EU Reg. 2015/1094):	A
Yearly and daily energy consumption (EU Reg. 2015/1094):	525kWh/year - 1kWh/24h
Climate class (EU Reg. 2015/1094):	Normal duty (cl.4)
Energy Efficiency Index-EEI (EU Reg. 2015/1094):	24,92

## EU energy labelling from 1st July 2016

The European energy labelling scheme for professional refrigerators and freezers is based on requirements setting Minimum Energy Performance standards for commercial refrigeration cabinets sold within the EU.

These requirements are designed to drive energy efficiency and environmentally friendly approach for professionals. The European energy labelling scheme will apply to all manufacturers and importers who sell and market products within the EU and it is mandatory across Europe. Important: all products which consume energy above the minimum level will not be able to be sold within the EU from 1 July 2016.

SI 2020 No. 1528.

Important: all products which consume energy above the minimum level will not be able to be sold within the EU from 1 July 2016.

